

ROHM Solution Simulator

PTC Heater Thermal Simulation

This documents introduces and describes the use of a simulation environment that allows simultaneous electrical simulation of PTC (Positive Temperature Coefficient) heaters and temperature simulation of built-in devices. By changing the parameters of the components, it is possible to simulate a wide range of conditions.

1 Simulation circuit

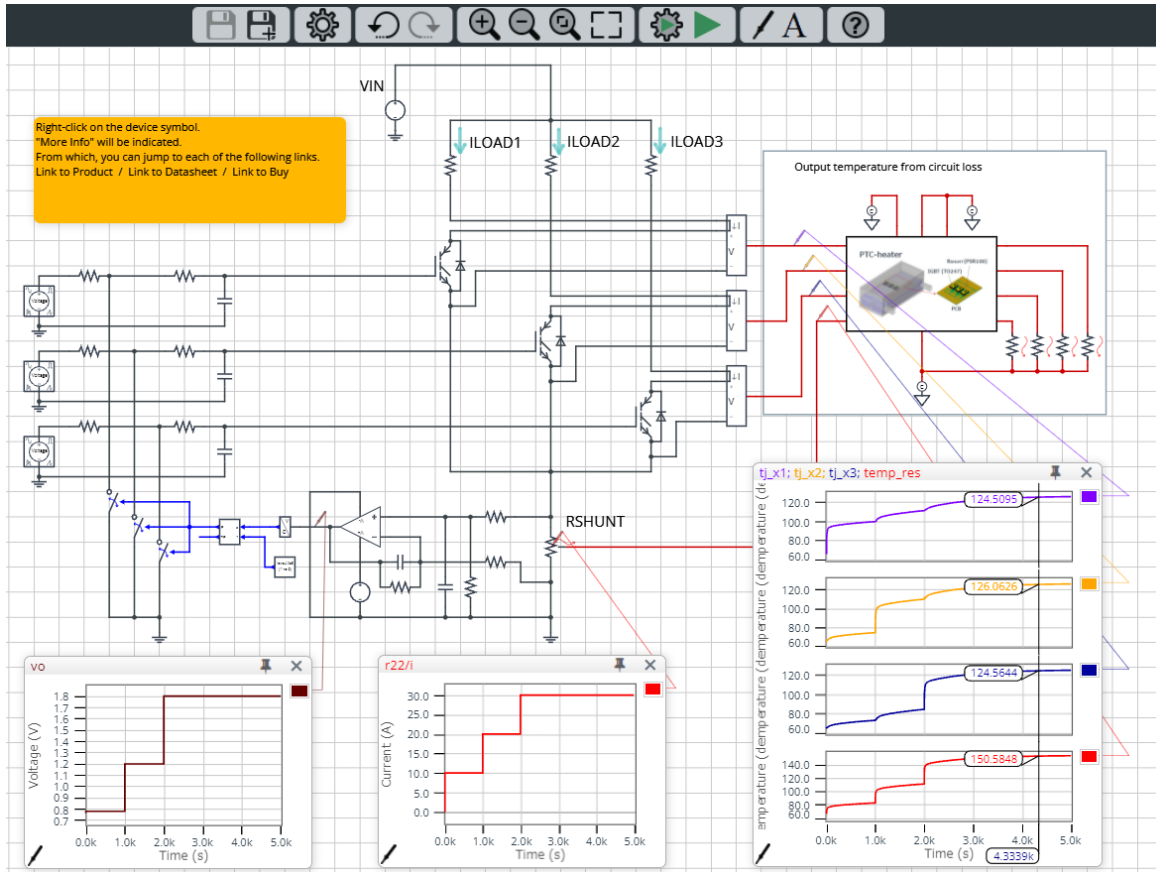


Figure 1. Simulation circuit

In this circuit diagram, the black and blue lines show the electrical simulation circuit and the red lines show the thermal simulation circuit.

The circuit consists of three IGBTs connected in parallel, which function as switches. A load resistor (heater) is connected to each IGBT and is driven independently. The load current is adjusted in three steps only by turning the three IGBTs on and off; no fine-tuning via switches is envisaged. The total current of the three loads is detected by a shunt resistor and a circuit is provided to prevent over current.

The thermal simulation circuit creates a thermal simulation model (ROM*1) of the device losses calculated in the electrical simulation and a typical PTC heater (including a water-cooled environment), and calculates the temperature of the IGBTs and shunt resistor.

*1 ROM (Reduced Order Model): A model created by 3D-CAE using a technique to reduce the dimensionality to 1D.

2 Simulation method

Simulation settings such as simulation time and convergence options can be set from “Simulation Settings” shown in Figure 2, and the initial simulation settings are shown in Table 1.

If you are having problems with the convergence of the simulation, you can change the advanced options to fix the problem. The simulation temperature and various parameters of the electrical circuit are defined in “Manual Options”.

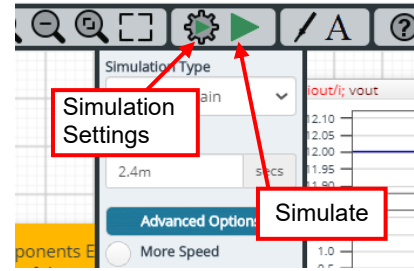


Figure 2. Simulation Settings and execution

Table 1. Initial values for Simulation Settings

Parameters	Initial values	Remarks
Simulation Type	Time-Domain	Do not change the simulation type
End time	5000 secs	
Advanced Options	More Speed	
Manual Options	.TEMP 100	Simulation temperature of the circuit Set to around the convergence temperature of the IGBT
	.PARAM ...	See Table 2 for details

3 Simulation conditions

3.1 Definition of parameters

The parameters for the components shown in blue in Figure 3 are defined in the manual options as they need to be set in the simulation conditions.

Table 2 shows the initial values of the parameters. These values are written in a text box in the “Manual Options” section of the simulation settings, as shown in Figure 4.

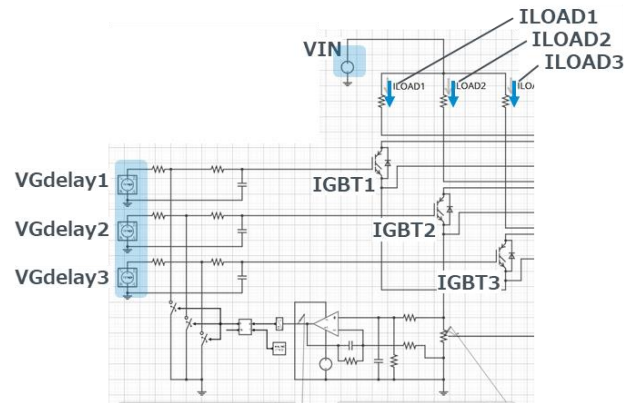


Figure 3. Definition of component parameters

Table 2. Simulation conditions

Parameters	Variable names	Initial values	Unit	Description
V _{IN}	V_VIN	400	V	
I _{LOAD1}	I_LOAD1	10	A	
I _{LOAD2}	I_LOAD2	10	A	
I _{LOAD3}	I_LOAD3	10	A	
V _{Gdelay1}	VG_delay1	0	sec	When IGBT1 is on
V _{Gdelay2}	VG_delay2	1000	sec	When IGBT2 is on
V _{Gdelay3}	VG_delay3	2000	sec	When IGBT3 is on

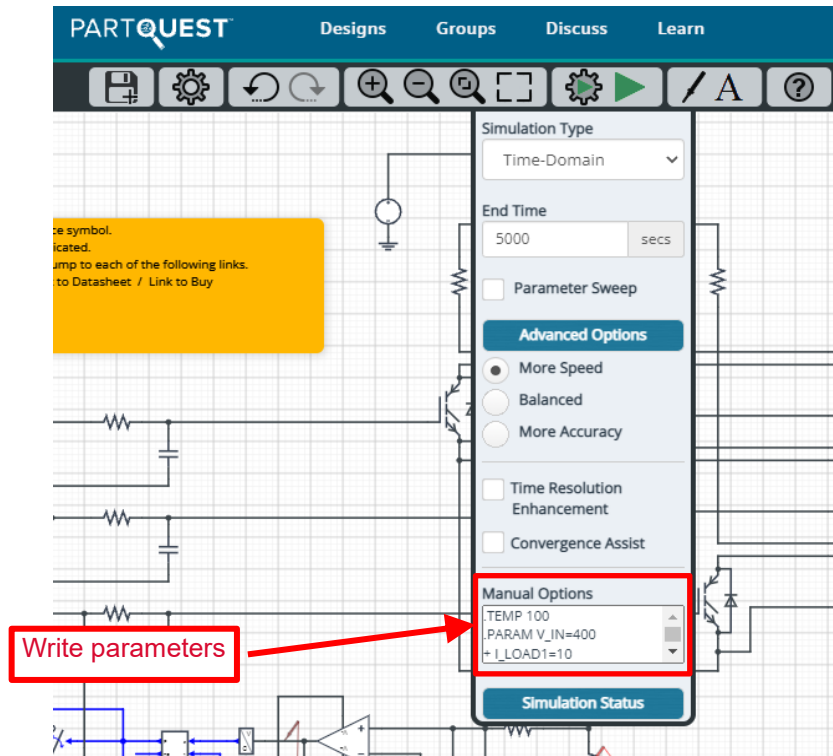


Figure 4. Definition of parameters

3.2 Over current protection

Figure 5 shows the over current protection circuit. The load current is detected by a low-side sense circuit using a shunt resistor and an op-amp. The total current flowing through the load generates a voltage of ΔV_{SHUNT} via the shunt resistor. This voltage is differentially amplified by the op-amp and if it exceeds the threshold of the “Voltage to Digital” stage, the next stage turns on and protection begins. If the input offset voltage of the op-amp is ignored, the output V_O of the op-amp can be expressed by the following equation.

$$V_O = I_{LOAD} \times R_{SHUNT} \times \frac{R_2}{R_1} \quad [V]$$

The default circuit is $I_{LOAD}=30\text{ A}$, $R_{SHUNT}=1\text{ m}\Omega$, $R_1=2\text{ k}\Omega$, $R_2=120\text{ k}\Omega$, so the output $V_O=1.8\text{ V}$. The threshold value for “Voltage to Digital” is set to 2 V (over current $\approx 33.3\text{ A}$), so the protection is not activated.

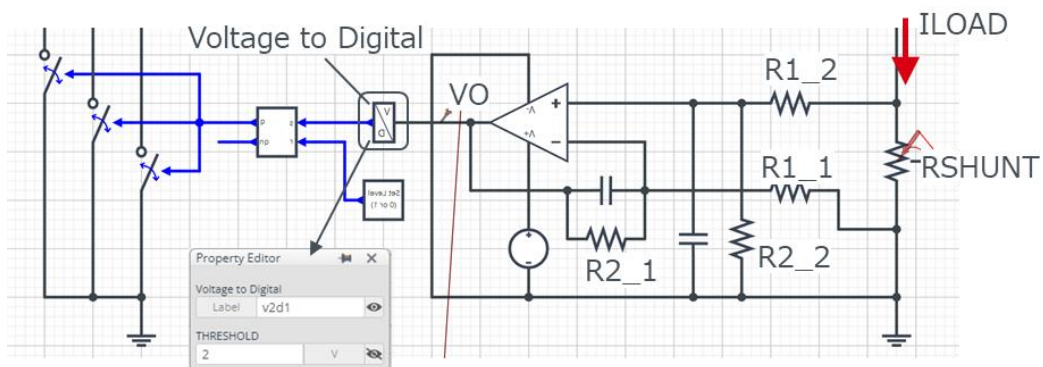


Figure 5. Over current protection circuit

3.3 Thermal circuit

The “PTC-heater” symbol in Figure 6 is the thermal simulation model of the PTC heater (ROM). Also, Table 3 shows the terminal description for the PTC heater thermal simulation model.

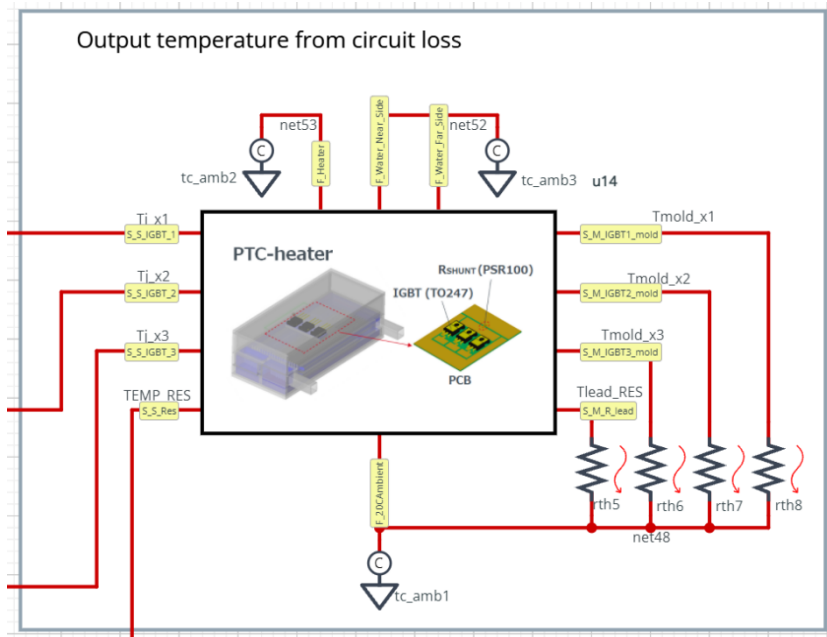


Figure 6. PTC heater thermal simulation model

Table 3. Terminal description of the thermal simulation model

Terminal name	Description
S S IGBT 1	Inputs the losses of IGBT1 and monitors T_J
S S IGBT 2	Inputs the losses of IGBT2 and monitors T_J
S S IGBT 3	Inputs the losses of IGBT3 and monitors T_J
S S Res	Inputs the losses of RSHUNT and monitors T_J
F Heater	Heater temperature
F Water Near Side	Cooling water temperature (inlet)
F Water Far Side	Cooling water temperature (outlet)
F 20CAmbient	Ambient temperature
S M IGBT1_mold	Monitors the mold temperature of IGBT1 (received at high impedance)
S M IGBT2_mold	Monitors the mold temperature of IGBT2 (received at high impedance)
S M IGBT3_mold	Monitors the mold temperature of IGBT3 (received at high impedance)
S M R lead	Monitors the lead temperature of RSHUNT (received at high impedance)

- The S_S_xxxx pin allows monitoring of the device temperature by inputting the device losses.
- The F_xxxx pin is connected to “tc_amb” and is set to the temperature at that location.
- The S_M_xxxx pin allows monitoring of the temperature of the IGBT mold and the lead temperature of the shunt resistor.

4 Parts list

Figure 7 shows the main component names. The initial values for each component can be found in Table 4. Some components allow the user to select the component to be used from a predetermined list of component names. The components that can be changed and the component name list are shown in Table 5. To change the name of a component, right-click on the component and select "Properties" as shown in Figure 8. In "Property Editor", select "Spicelib Part" and choose the name of the component you want to use.

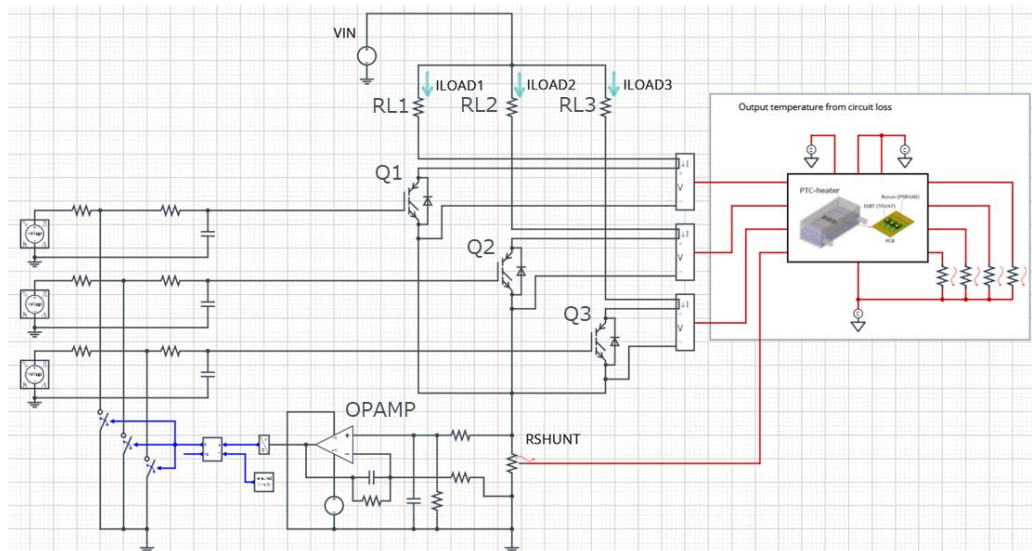


Figure 7. Main component names

Table 4. Initial values of components

Component name	Function	Initial values	Remarks
Q1, Q2, Q3	IGBT	RGS00TS65D	Can be changed
RSHUNT	Resistor	1mΩ	PMR100
RL1, RL2, RL3	Load Resistor	{Vin/ILOADx}	Fixed
OPAMP	Opamp	Parameter model	LMR1802G-LB

Table 5. List of components that can be changed and component names

Component name	Function	Product name	Specifications
Q1, Q2, Q3	IGBT	RGC80TSX8R	1800V, 40A
		RGCL60TS60D	600V, 30A
		RGCL80TS60D	600V, 40A
		RGS00TS65D	650V, 50A
		RGS00TS65E	650V, 50A
		RGS50TSX2DHR	1200V, 25A
		RGS60TS65D	650V, 30A
		RGS80TS65D	650V, 40A
		RGS80TSX2DHR	1200V, 40A
		RGT00TS65D	650V, 50A
		RGT16TM65D	650V, 5A
		RGT30TM65D	650V, 8A
		RGT40TS65D	650V, 20A
		RGT50TS65D	650V, 25A
		RGT60TS65D	650V, 30A
		RGT80TS65D	650V, 40A
		RGT8TM65D	650V, 3A
		RGTH00TS65D	650V, 50A
		RGTH40TS65D	650V, 20A
		RGTH50TS65D	650V, 25A
		RGTH60TS65D	650V, 30A
		RGTH80TS65D	650V, 40A
		RGTV60TS65D	650V, 30A
		RGW00TS65D	650V, 50A
		RGW60TS65D	650V, 30A
RGW80TS65D	650V, 40A		

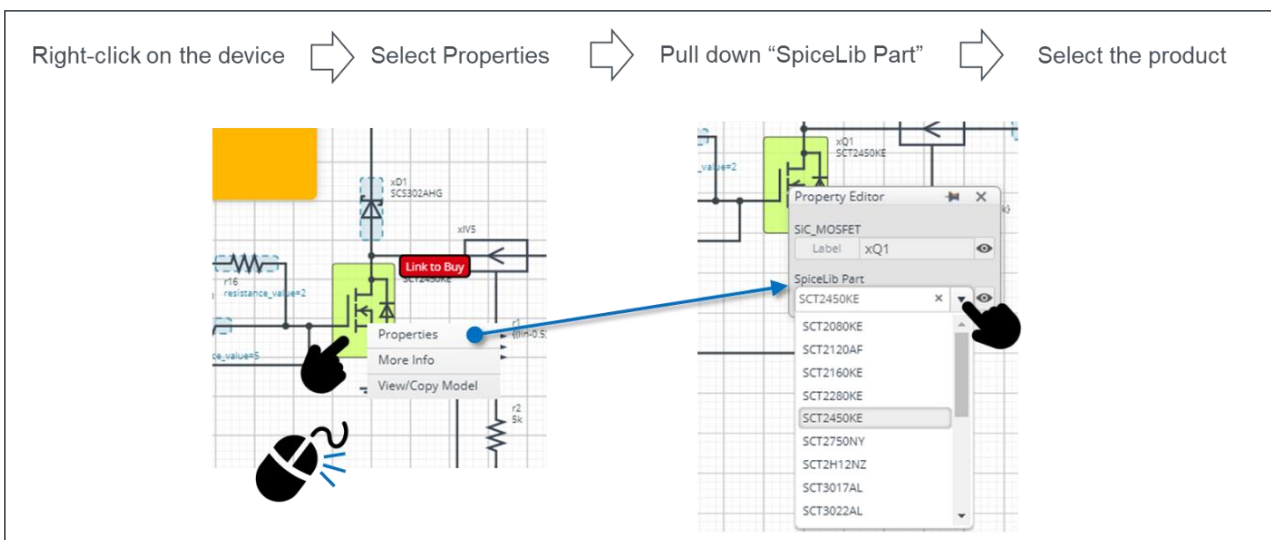


Figure 8. Changing the name of the component to be used

5 Links to related documents

5.1 Products

[IGBT \(TO247 package\)](#)

[Shunt Resistors PSR series](#)

[Ground Sense Operation Amplifier](#)

5.2 Application Note

[Low-Side Current Sensing Circuit Design](#)

Reference: About the PTC heater thermal simulation model

An image of the 3D model used to create the thermal simulation model (ROM) is shown in Figure A. Structural information is also shown in Table A.

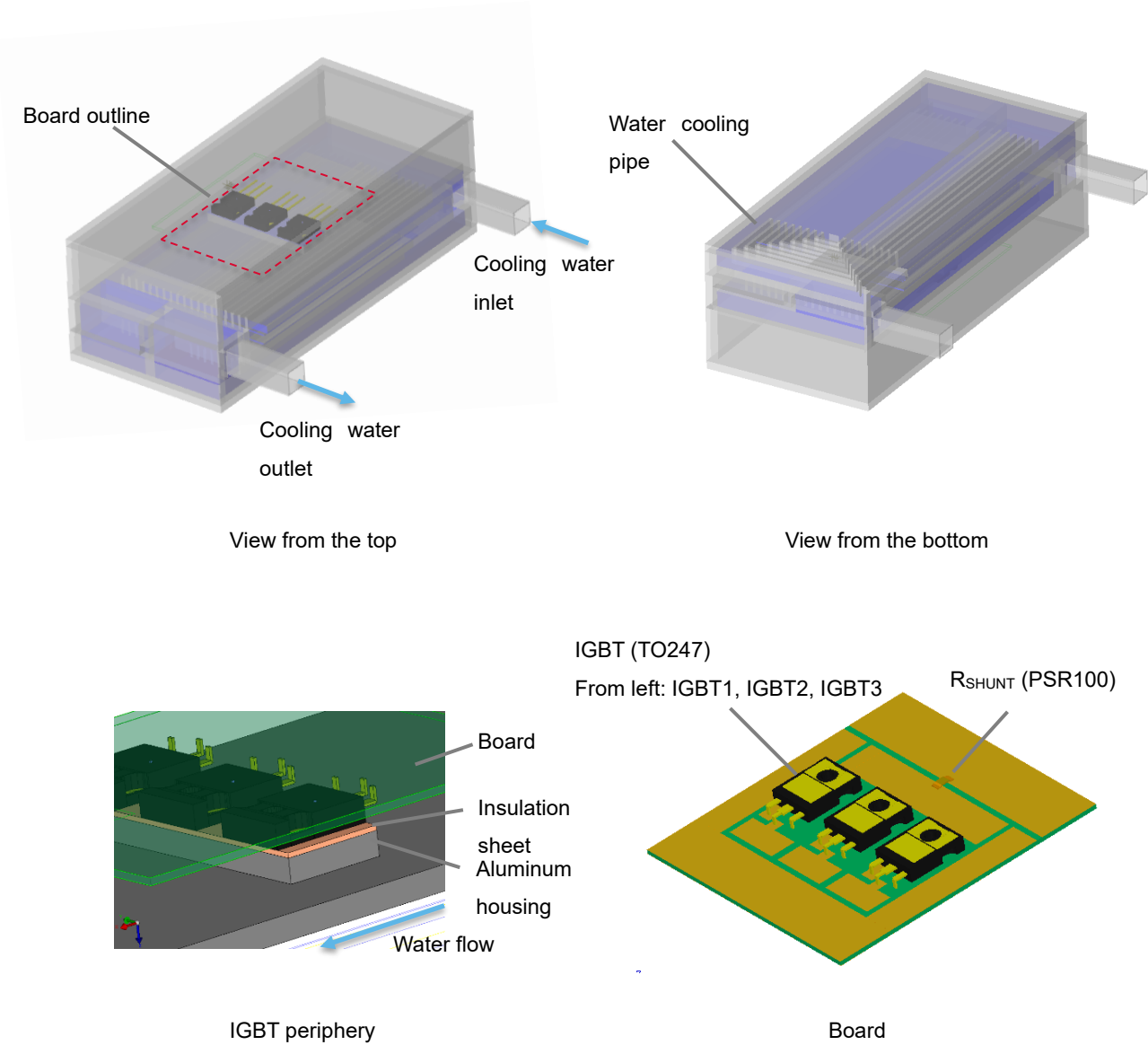


Figure A. 3D image of the PTC heater

Table A. Structural information

Structural parts	Description
Aluminum housing	Outline dimensions: 250mm × 110mm × 120mm
Board	Outline dimensions: 100mm × 90mm × 1.6mm Board material: FR-4 Copper foil thickness: 70 μm (2 oz copper foil)
Insulation sheet	Thickness: 1mm

*In order to save simulation time, the thermal capacity of the aluminum housing is not taken into account.

Notes

- 1) The information contained herein is subject to change without notice.
- 2) Before you use our Products, please contact our sales representative and verify the latest specifications :
- 3) Although ROHM is continuously working to improve product reliability and quality, semiconductors can break down and malfunction due to various factors.
Therefore, in order to prevent personal injury or fire arising from failure, please take safety measures such as complying with the derating characteristics, implementing redundant and fire prevention designs, and utilizing backups and fail-safe procedures. ROHM shall have no responsibility for any damages arising out of the use of our Products beyond the rating specified by ROHM.
- 4) Examples of application circuits, circuit constants and any other information contained herein are provided only to illustrate the standard usage and operations of the Products. The peripheral conditions must be taken into account when designing circuits for mass production.
- 5) The technical information specified herein is intended only to show the typical functions of and examples of application circuits for the Products. ROHM does not grant you, explicitly or implicitly, any license to use or exercise intellectual property or other rights held by ROHM or any other parties. ROHM shall have no responsibility whatsoever for any dispute arising out of the use of such technical information.
- 6) The Products specified in this document are not designed to be radiation tolerant.
- 7) For use of our Products in applications requiring a high degree of reliability (as exemplified below), please contact and consult with a ROHM representative : transportation equipment (i.e. cars, ships, trains), primary communication equipment, traffic lights, fire/crime prevention, safety equipment, medical systems, servers, solar cells, and power transmission systems.
- 8) Do not use our Products in applications requiring extremely high reliability, such as aerospace equipment, nuclear power control systems, and submarine repeaters.
- 9) ROHM shall have no responsibility for any damages or injury arising from non-compliance with the recommended usage conditions and specifications contained herein.
- 10) ROHM has used reasonable care to ensure the accuracy of the information contained in this document. However, ROHM does not warrant that such information is error-free, and ROHM shall have no responsibility for any damages arising from any inaccuracy or misprint of such information.
- 11) Please use the Products in accordance with any applicable environmental laws and regulations, such as the RoHS Directive. For more details, including RoHS compatibility, please contact a ROHM sales office. ROHM shall have no responsibility for any damages or losses resulting from non-compliance with any applicable laws or regulations.
- 12) When providing our Products and technologies contained in this document to other countries, you must abide by the procedures and provisions stipulated in all applicable export laws and regulations, including without limitation the US Export Administration Regulations and the Foreign Exchange and Foreign Trade Act.
- 13) This document, in part or in whole, may not be reprinted or reproduced without prior consent of ROHM.

Thank you for your accessing to ROHM product informations.
More detail product informations and catalogs are available, please contact us.

ROHM Customer Support System

